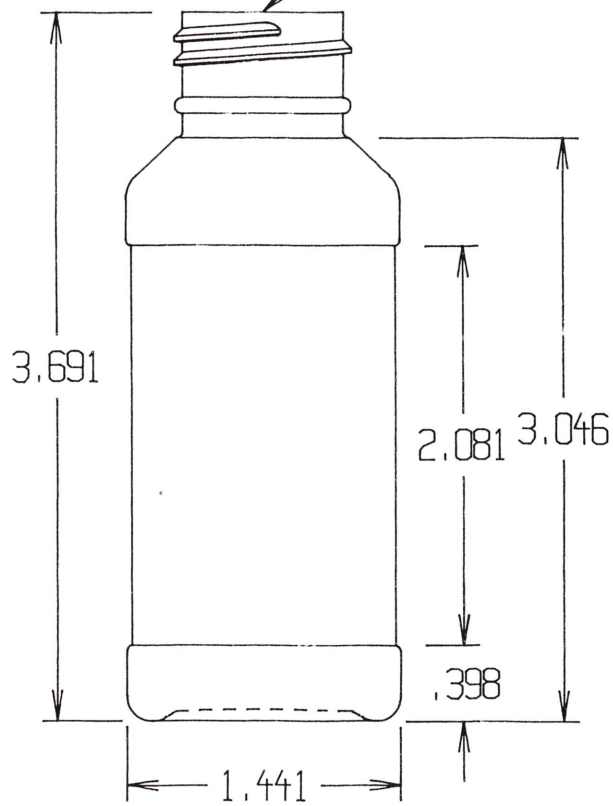


24/410 Neck Finish



Over Flow = 2.4 oz.

	R. N. FINK MFG. CO. WILLIAMSTON, MI 48895	
Date: June 18, 99	Scale	1 = 1
Weight:	Grams	Drawn by: S.P.
Part Name:	2 oz. Modern Round	