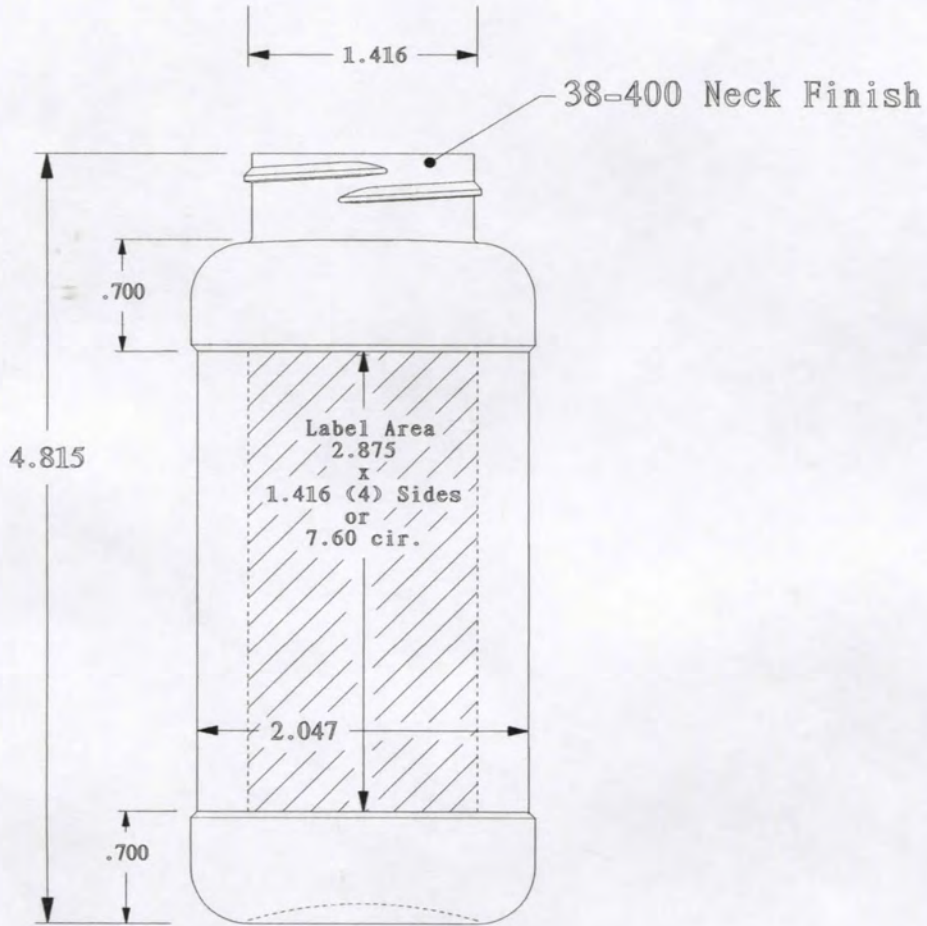



$T = 1.464 \begin{smallmatrix} +.015 \\ -.015 \end{smallmatrix}$
 $E = 1.370 \begin{smallmatrix} +.015 \\ -.015 \end{smallmatrix}$
 $H = 0.535 \begin{smallmatrix} +.015 \\ -.015 \end{smallmatrix}$
 $S = 0.045 \begin{smallmatrix} +.015 \\ -.015 \end{smallmatrix}$
 6-TPI



	R. N. FINK MFG. CO. Williamston, Mi. 48895 517-655-4351	
	Date: 02/16, 2015	NOT TO SCALE Drawn By: R.Scott
Part Name: 8oz. Panel Square 38-400 Neck Finish		

Overflow =