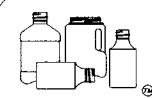
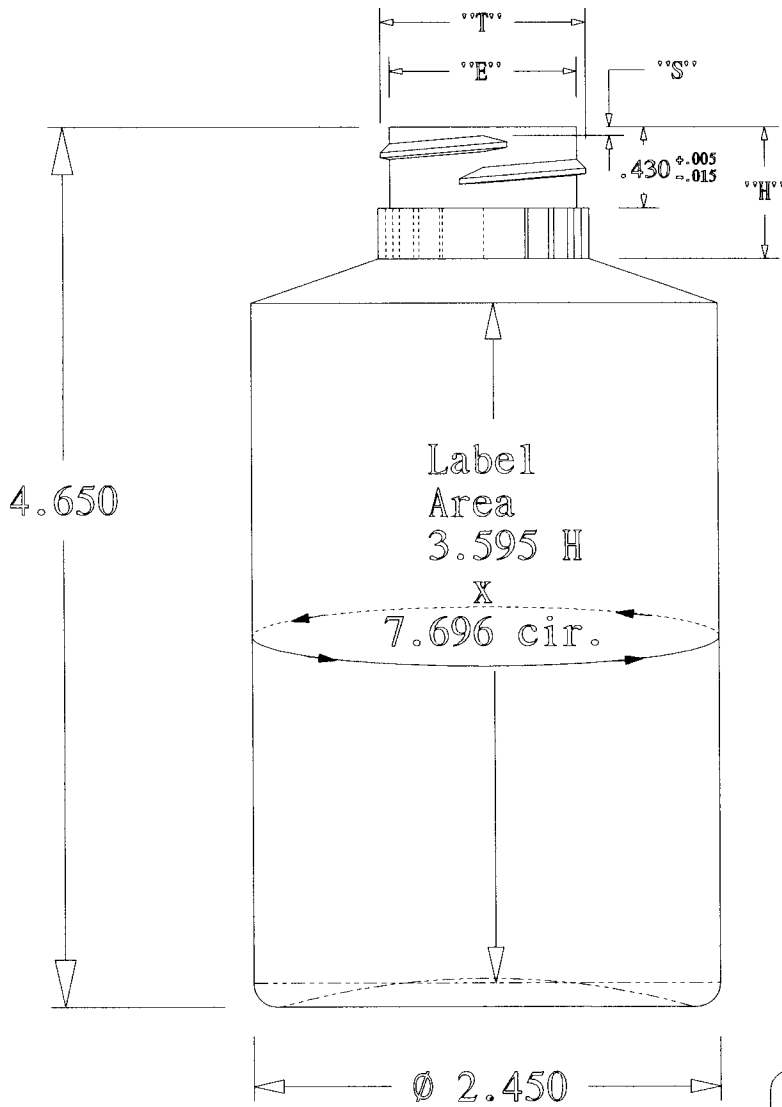


$T = 1.078 \pm 0.010$   
 $E = 0.984 \pm 0.010$   
 $H = 0.700 \pm 0.015$   
 $S = 0.045 \pm 0.015$

6-TPI



R. N. FINK MFG. CO.  
 WILLIAMSTON, MI  
 48895

Date: Oct 22, 2013	DoNot Scale Drawing
Weight:	Drawn by: R.Scott
Part Name: 8.5 oz. Straight Side Cylinder 28mm Ratchet neck	